

Model 338H

inches

Exterior Dimensions: 38 ¼ W x 38 ¾ D x 78 H



FEATURES

- Three-Piece Fiberglass Composite Unit
- Smooth-Wall Pattern
- 1 ¾" Threshold; ½" Interior Threshold
- Barrier-Free When Properly Installed
- 3 ¼" Center Drain
- Textured Non-Skid Floor
- Wood Reinforced Floor Structure
- Wood Reinforced for Seat and Grab Bar Installation

OPTIONS

- Available in LH or RH Plumbing (seat located on opposite wall)
- Enhanced Reinforcement Options Available
- Factory Installed Grab Bar Options Available
- Factory Installed Seat Options Available
- Factory Installed Plumbing Fixture Package Available
- Factory Installed Curtain Rod Available
- Unlimited Solid Color Options Available

STANDARDS AND RATINGS

- ANSI Z 124
- HUD Bulletin 73A

Code compliant when fully equipped and installed according to guidelines.

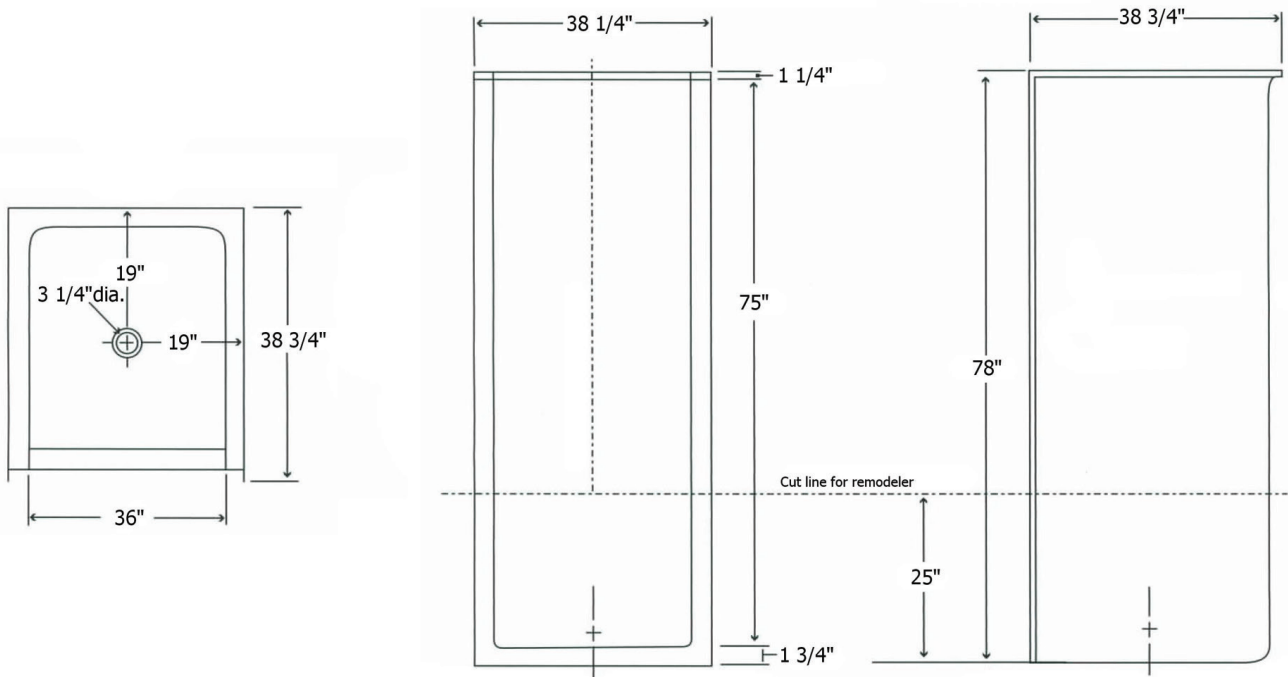
All dimensions may vary.

*See terms and conditions for details.



Model 338H

Exterior Dimensions: 38 1/4 W x 38 3/4 D x 78 H
inches



FEATURES Dimensional Tolerance $\pm \frac{3}{16}$ ". Dimensions needed for site preparation should be measured from the unit. American Bath Group assumes no responsibility for preparatory work.

Type and Model #	Material	Wall Finish	Pieces	Pkg. Wt. lbs
Model 338H	Fiberglass Composite	Smooth	3	247

DIMENSIONS

Specifications	inches
Width:	38 1/4
Height:	78
Depth:	38 3/4